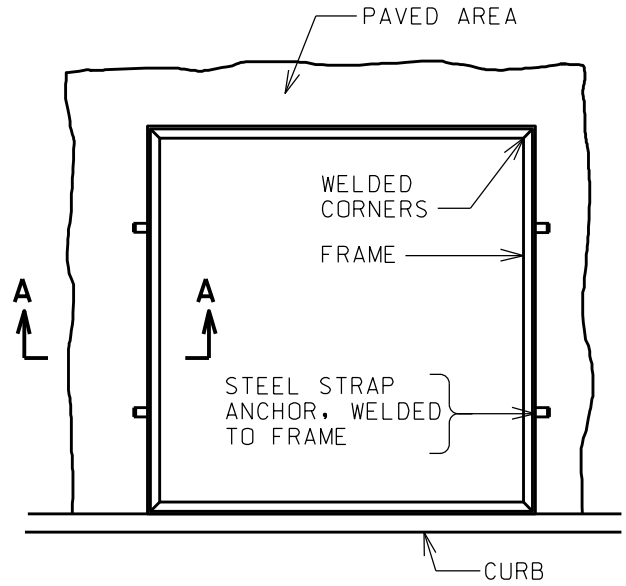
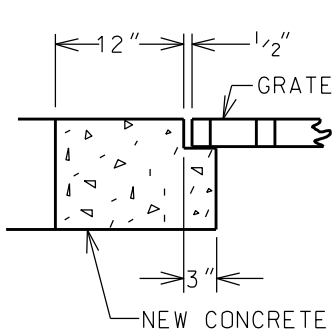


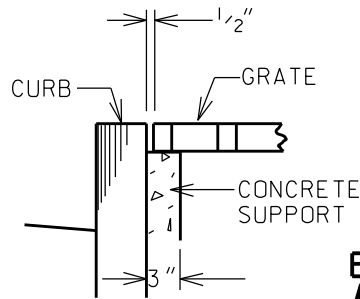
SECTION A-A



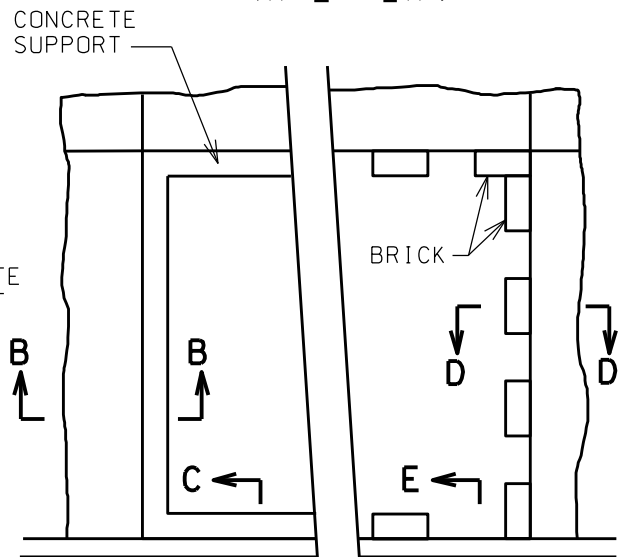
FRAME PLAN



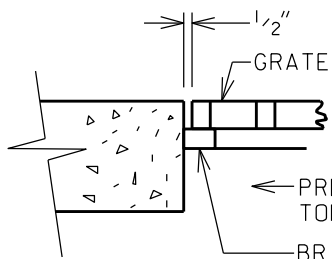
SECTION B-B



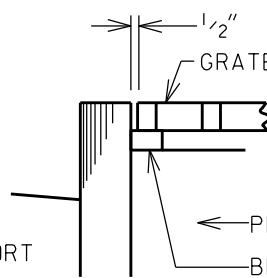
SECTION C-C



NEW PAVED AREA **EXISTING PAVED AREA**
PLAN
TREE GRATE WITHOUT FRAME



SECTION D-D



SECTION E-E

NOTES:

1. SIZE AND TYPE OF GRATE WILL BE AS NOTED ON PLANS.
2. GRATE TO BE SHOP COATED WITH BLACK FLAT RUSTOLEUM OR APPROVED EQUIVALENT.

CITY OF ROCHESTER		
TREE FRAME AND GRATE		
ISSUED	9-2-91	STD. DWG.
REVISED	9-2-05	NO. R616-1