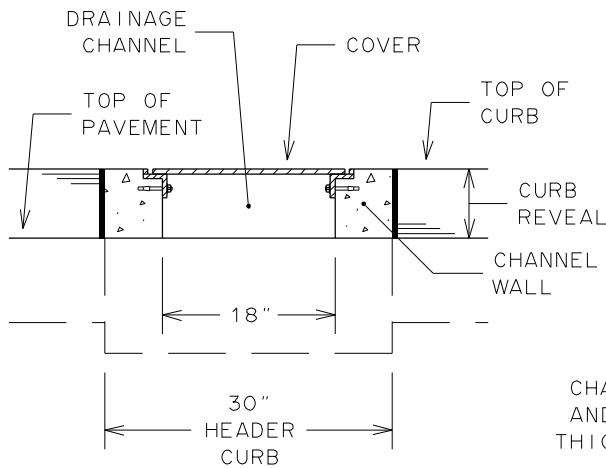
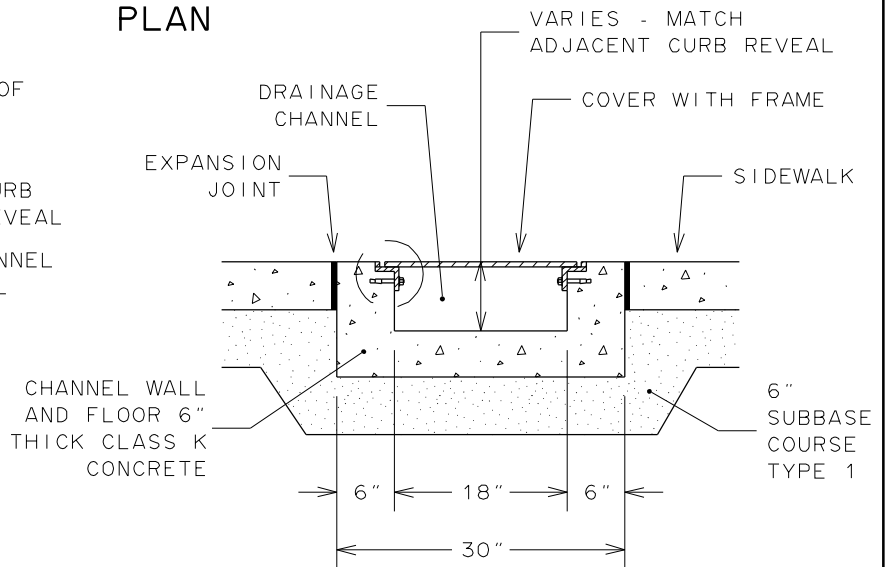


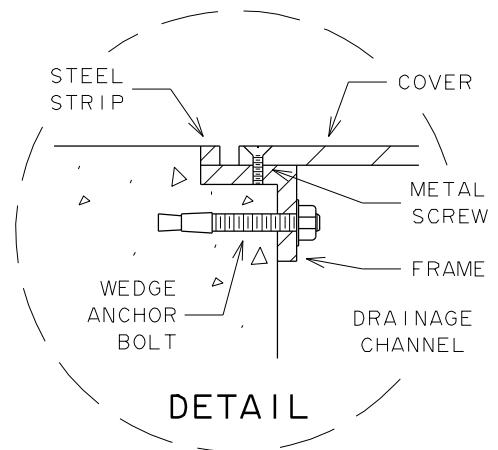
**PLAN**



**CURB OPENING**



**SECTION**



**DETAIL**

**NOTES:**

1. HEADER CURB ACROSS OPENING TO BE SET FLUSH WITH TOP OF PAVEMENT.
2. BOTTOM OF CHANNEL TO BE FLUSH WITH TOP OF CURB ACROSS OPENING, AND IS TO FOLLOW GRADE SLOPING TO ONE SIDE.
3. FLOOR OF CHANNEL TO SLOPE AWAY FROM PAVEMENT TOWARDS DRAINAGE SWALE.
4. EXPANSION JOINT BETWEEN CONCRETE WALLS AND ADJACENT SIDEWALK SLAB TO BE 1/2 INCH WIDE, FILLED WITH PREMOULDED EXPANSION JOINT MATERIAL SEALED WITH CAULKING SEALANT 5/8 INCH DEEP.
5. COVER: AASHTO H-20 RATED DIAMOND PATTERN GALVANIZED STEEL PLATE - 20 INCHES WIDE.
6. FRAME: 2-1/2 x 2-1/2 x 1/2 INCH GALVANIZED ANGLE WITH 1/2 INCH STEEL STRIP WELDED TO FRAME.
7. FASTEN COVER TO FRAME WITH 1/4 INCH COARSE-THREAD COUNTERSINK METAL SCREWS AT MAXIMUM 18 INCH O.C.
8. ANCHOR FRAME TO SURROUNDING CONCRETE WITH 3/8 INCH x 3-1/2 INCH WEDGE ANCHOR BOLTS AT MAXIMUM 18 INCH O.C., SET IN NON-SHRINK GROUT.
9. ALL EXPOSED METAL TO BE GALVANIZED AFTER MANUFACTURING.

CITY OF ROCHESTER

**SIDEWALK  
DRAINAGE CHANNEL  
AND COVER**

ISSUED	3-1-16	NON-STANDARD DWG.NO.S591-I
REVISED	1-1-17	