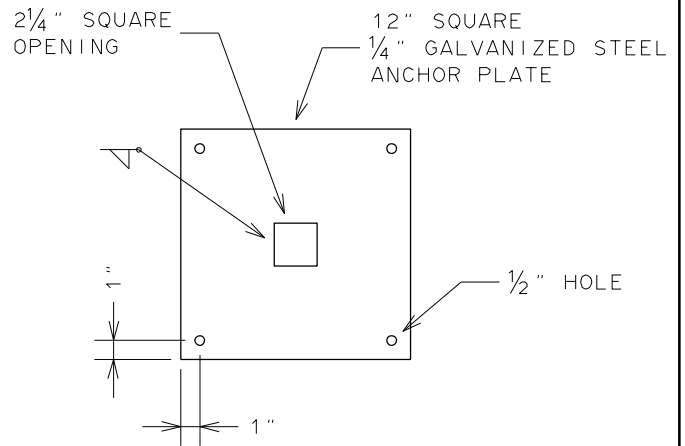
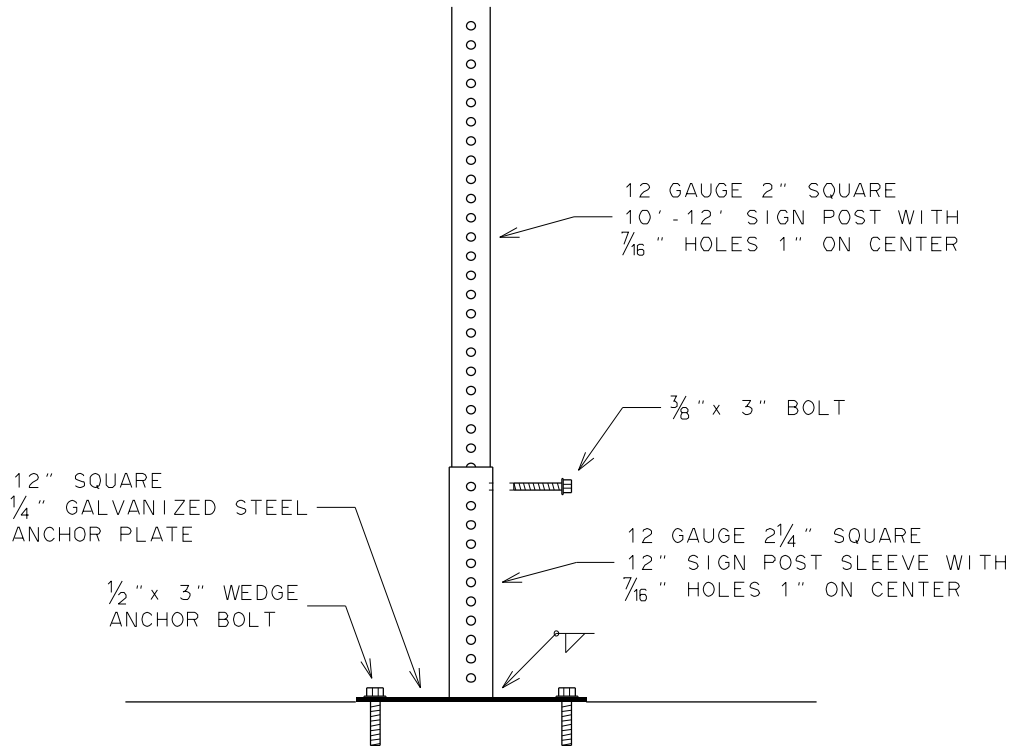


ISOMETRIC



ANCHOR PLATE



PLAN

NOTE :

EXACT LOCATION OF SIGN POST SLEEVE WILL BE AS DIRECTED BY MONROE COUNTY DEPARTMENT OF TRANSPORTATION (MCDOT). IF THERE ARE ANY QUESTIONS REGARDING LOCATION, CALL MCDOT FOR FURTHER ASISTANCE AT (585) 753-7750.

COUNTY OF MONROE		
SIGN POST SLEEVE WITH ANCHOR PLATE		
ISSUED	1 - 1 - 17	NON-STANDARD
REVISED		DWG.NO.S643-4