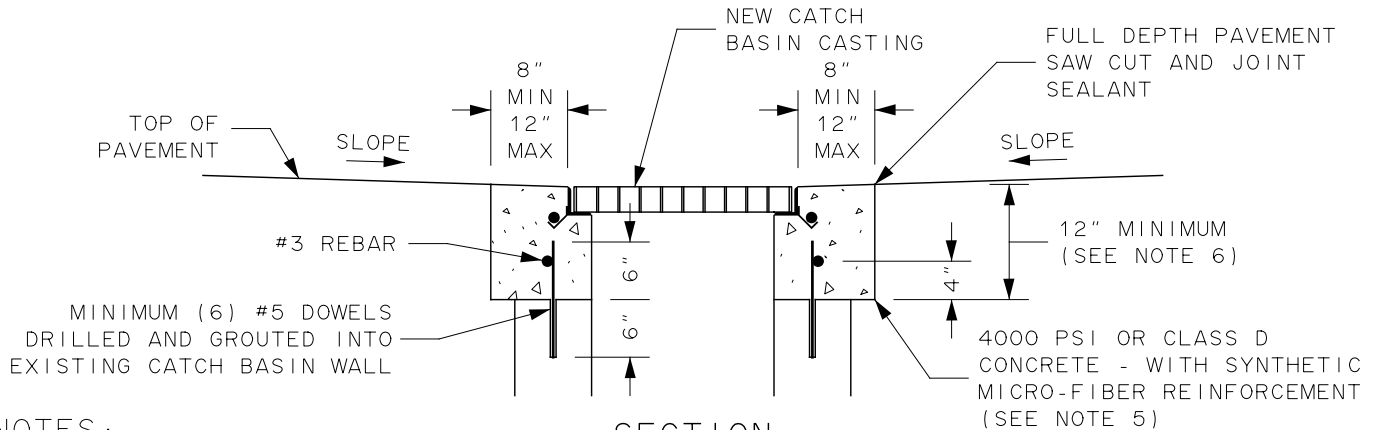


PLAN



SECTION

NOTES :

1. CASTING AND TOP OF CONCRETE ARE TO BE IN SAME HORIZONTAL PLANE AS SURROUNDING SURFACE, TRUE TO LINE AND GRADE, WITH GRATE HAVING FULL CONTINUOUS AND UNIFORM BEARING CONTACT WITH FRAME.
2. TOP OF GRATE IS TO BE LEVEL WITH TOP OF FRAME, STABLE AND IMMOVABLE WHEN IN PLACE AND WHEN UNDER INFLUENCE OF TRAFFIC OR ANY OTHER TYPE OF LOAD BEARING STRESS.
3. SCARIFY AND/OR REMOVE TOP OF EXISTING WALLS TO SUFFICIENT DEPTH TO ACCOMMODATE CONCRETE. COAT TOP SURFACE OF WALL WITH NYSDOT 721-03 EPOXY POLYSULFIDE GROUT PRIOR TO POURING CONCRETE.
4. FRAME IS TO BE SET PARALLEL WITH GUTTER LINE.
5. HIGH EARLY STRENGTH CONCRETE IS TO BE USED FOR PLACEMENTS REQUIRED TO SATISFY OPEN TO TRAFFIC TIME REQUIREMENTS.
6. DEPTH OF CONCRETE IS TO BE MINIMUM 12 INCHES. ACTUAL DEPTH TO BE EITHER TO EXISTING CONSTRUCTION JOINT OR SOUND CONCRETE/BRICK.
7. COAT INTERIOR SURFACE OF NEW CONCRETE WITH 2 COATS OF DURALKOTE 500 EPOXY OR APPROVED EQUIVALENT, AND EXPOSED EXTERIOR SURFACE OF NEW CONCRETE WITH 2 COATS OF BITUMINOUS COATING.
8. USE SAME DIMENSION FOR WIDTH OF CONCRETE COLLAR ON ALL SIDES.

CITY OF ROCHESTER		
CONCRETE COLLAR FOR EXISTING CATCH BASIN WITHOUT CURB		
ISSUED	6-24-19	NON-STANDARD
REVISED	11-27-19	DWG.NO.S604-95