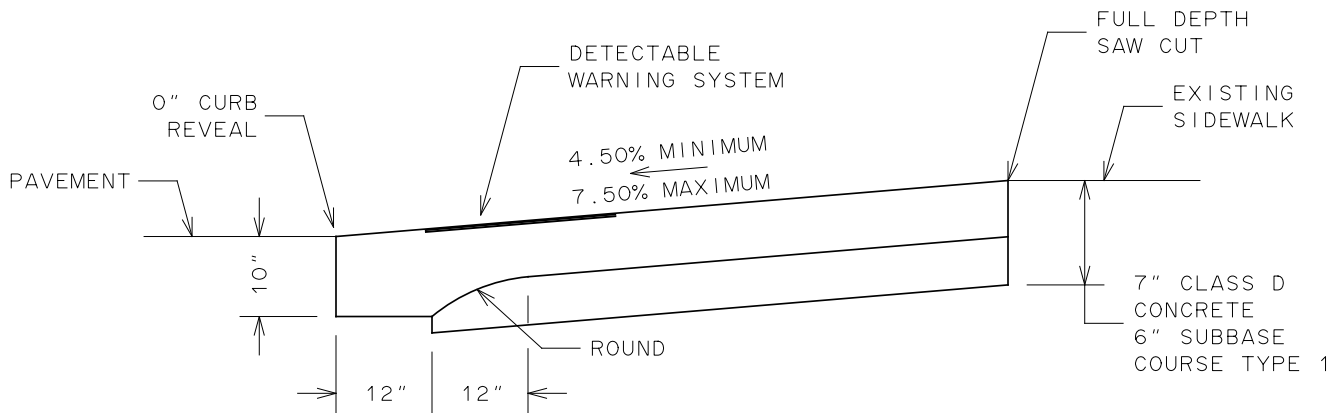


MULTIPLE RAMPS

SINGLE RAMP



SECTION

NOTES:

1. USE JOINTING TOOL WITH $\frac{5}{8}$ INCH RADIUS TO FINISH JOINTS AND EDGES OF CONCRETE CURB.
2. MINIMUM WIDTH OF ACCESS RAMP(S) IS 4 FEET.
3. RUNNING SLOPE OF SIDES FLARES TO BE 9.50% MAXIMUM.
4. SURFACE OF ACCESS RAMP TO BE FIRM, STABLE AND SLIP-RESISTANT. TEXTURE SURFACE WITH COARSE BROOM RUNNING TRANSVERSE TO SLOPE OF ACCESS RAMP.
5. ENTIRE AREA OF ACCESS RAMP AND LANDING PAD TO BE 7 INCH THICK CONCRETE.

CITY OF ROCHESTER		
MONOLITHIC SIDEWALK ACCESS RAMP AND CONCRETE CURB		
ISSUED	10-22-01	NON-STANDARD DWG.NO.S608-26
REVISED	5-15-20	