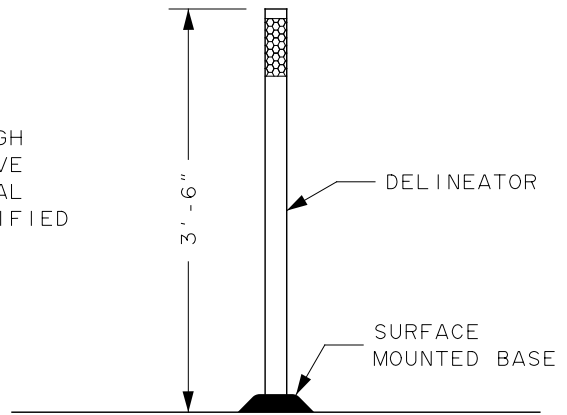


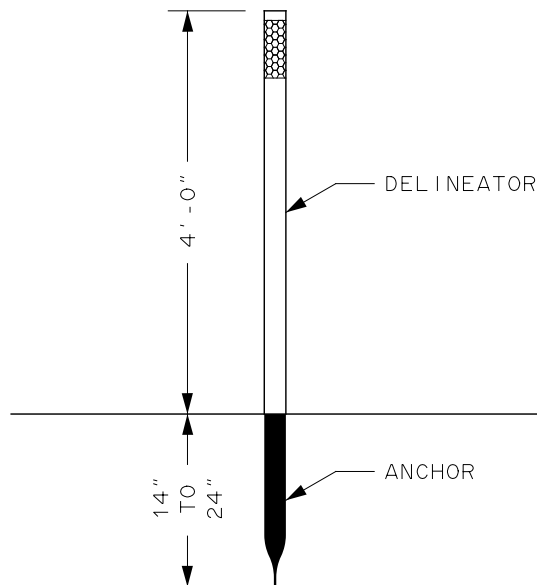
FLEXIBLE 2 $\frac{1}{4}$ " DIAMETER YELLOW POLYETHYLENE PLASTIC TUBULAR POST WITH RECESSED CAP AND 1 $\frac{3}{4}$ " INNER REINFORCEMENT TUBE

DELINEATOR



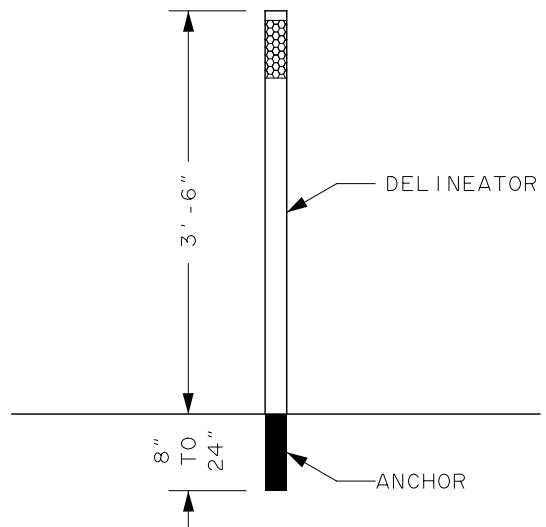
THERMOPLASTIC PIN-LOCK SURFACE MOUNTED BASE - APPLY BASE TO PAVEMENT WITH CONCRESSIVE EPOXY

SURFACE MOUNT



CLOSED-END DRIVE ABLE TUBULAR GALVANIZED METAL SOIL ANCHOR IN STANDARD LENGTHS OF 14", 18" AND 24"

SOIL ANCHOR



OPEN-END TUBULAR GALVANIZED METAL ANCHOR IN STANDARD LENGTHS OF 8", 14", 18" AND 24"

PAVEMENT ANCHOR

NOTES :

DELINEATOR TO BE TWO PIECE FLEXIBLE POLYETHYLENE PLASTIC ROUND POST FEATURING SELF-LOCKING SYSTEM FOR QUICK INSTALLATION PER SAFE-HIT TYPE 3 CHANNELIZER OR APPROVED EQUIVALENT.

CITY OF ROCHESTER		
DELINEATOR		
ISSUED	8-21-08	NON-STANDARD DWG.NO.S646-1
REVISED	3-6-20	