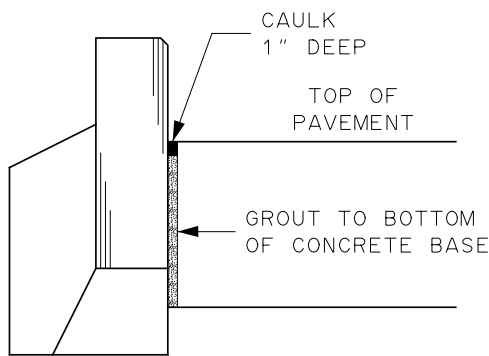
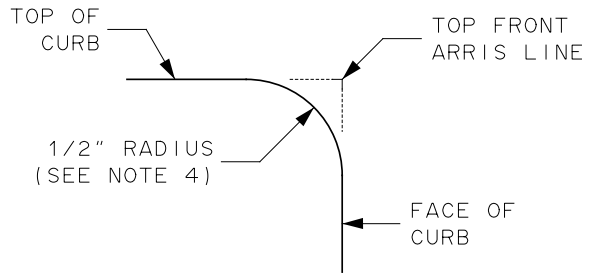


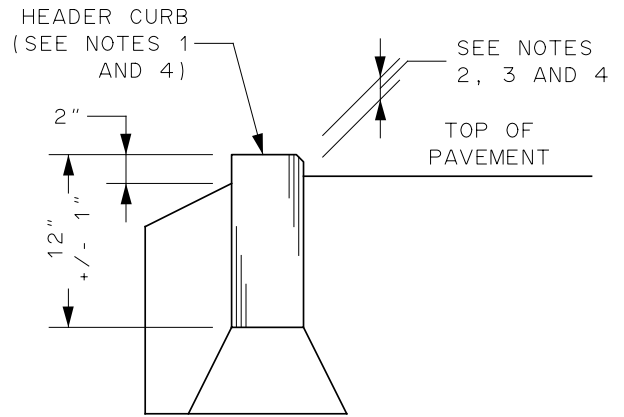
STONE CURB



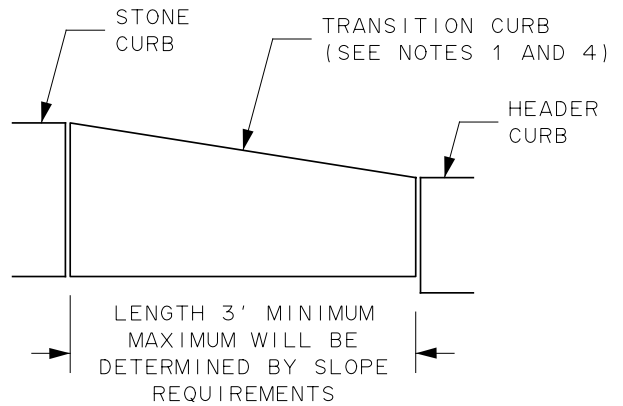
STONE CURB AT RIGID PAVEMENT



HEADER AND TRANSITION CURB FOR DRIVEWAY



HEADER CURB



TRANSITION CURB

NOTES :

1. CURB IS TO BE NYS DOT TYPE NVF CURB OR APPROVED EQUIVALENT WITH OVERALL TOP WIDTH AS REQUIRED IN CONTRACT DOCUMENTS.
2. SIDEWALK ACCESS RAMP HEADER CURB TO BE FLUSH WITH PAVEMENT SURFACE. DRIVEWAY HEADER CURB TO HAVE 1-1/2 INCH REVEAL.
3. TRANSITION AND HEADER CURB PIECES USED FOR DRIVEWAYS ARE TO BE ROUNDED.
4. APPLY TACK COAT TO UNEXPOSED FACE OF CURB.

CITY OF ROCHESTER		
STONE CURB		
ISSUED	9-2-91	STANDARD
REVISED	8-10-21	DWG.NO.R609-1