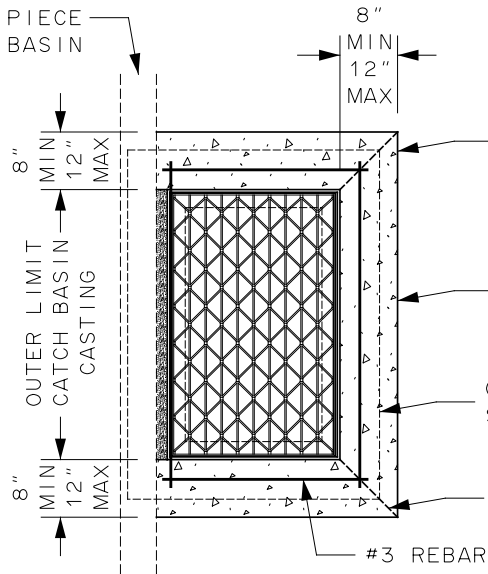
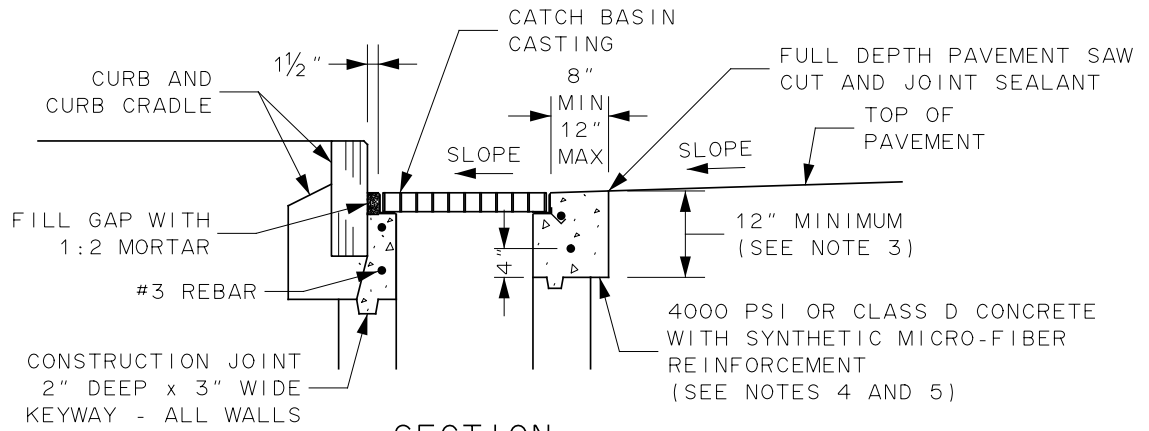


CURB - INSTALL
SINGLE FULL PIECE
ACROSS CATCH BASIN



PLAN



SECTION

NOTES :

1. CASTING AND TOP OF CONCRETE ARE TO BE IN SAME HORIZONTAL PLANE AS SURROUNDING SURFACE, TRUE TO LINE AND GRADE, WITH GRATE HAVING FULL CONTINUOUS AND UNIFORM BEARING CONTACT WITH FRAME.
2. TOP OF GRATE TO BE LEVEL WITH TOP OF FRAME, STABLE AND IMMOVABLE WHEN IN PLACE AND WHEN UNDER INFLUENCE OF TRAFFIC OR ANY OTHER TYPE OF LOAD BEARING STRESS. FRAME TO BE SET PARALLEL WITH CURB LINE.
3. DEPTH OF CONCRETE TO BE MINIMUM 12 INCHES. ACTUAL DEPTH TO BE TO CONSTRUCTION JOINT WITH OR WITHOUT KEYWAY.
4. HIGH EARLY STRENGTH CONCRETE TO BE USED FOR PLACEMENTS REQUIRED TO SATISFY OPEN TO TRAFFIC TIME REQUIREMENTS.
5. DURING AND AFTER DEPOSITION OF CONCRETE PERFORM MODERATE VIBRATION AND COMPACTION TO EXPEL LARGE BUBBLES AND EXCESS OF ENTRAPPED AIR FROM FRESHLY PLACED CONCRETE IN ACCORDANCE WITH NYSDOT SECTION 555-3.04 HANDLING AND PLACING CONCRETE.

6. WIDTH OF CONCRETE COLLAR TO BE SAME ON ALL SIDES.
7. COAT INTERIOR SURFACE OF NEW CONCRETE WITH 2 COATS OF DURALKOTE 500 EPOXY OR APPROVED EQUIVALENT, AND EXPOSED EXTERIOR SURFACE OF NEW CONCRETE WITH 2 COATS OF BITUMINOUS COATING.
8. SEE MCPW DETAILS FOR CATCH BASIN INSTALLATION.

CITY OF ROCHESTER		
CONCRETE COLLAR FOR NEW CATCH BASIN AT CURB		
ISSUED	6-24-19	NON-STANDARD
REVISED	12-30-21	DWG.NO.S604-92