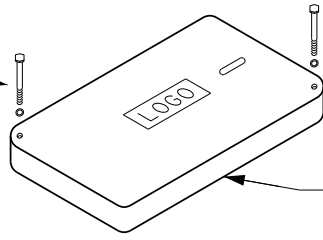
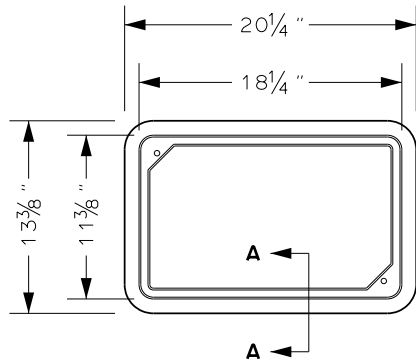


3/8-7 SELF ALIGNING
REPLACEABLE STAINLESS
STEEL EZ NUT WITH
WASHER (2 PLACES)

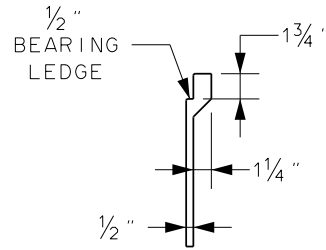


COVER 18 1/2" x 11 1/4" x 1 3/4"
WITH 2" x 1/2" PULL SLOT
AND OPTIONAL LOGO LABEL
(SEE NOTE 5)

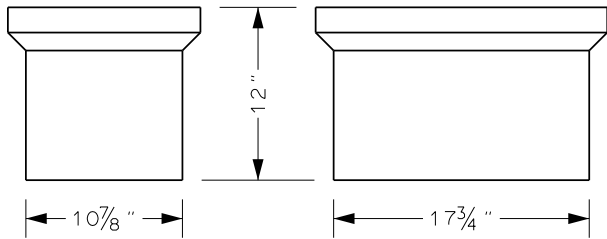
COVER



TOP VIEW

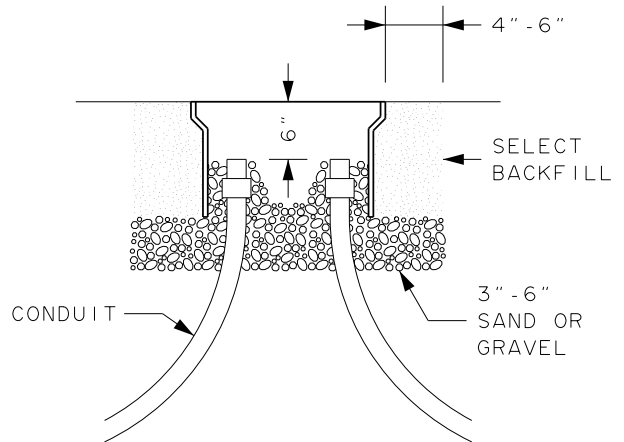


SECTION A-A



END VIEW

SIDE VIEW



SECTION

NOTES :

1. BOX AND COVER TO BE POLYMER CONCRETE, STRAIGHT WALLED WITH OPEN BOTTOM, IN ACCORDANCE WITH QUAZITE STYLE PG BY HUBBELL INC, OR APPROVED EQUIVALENT. SURFACE TO BE SKID RESISTANT. UNIT TO BE RATED FOR ANSI/SCTE 77 2017 TIER 22. ADDITIONAL HARDWARE TO BE STAINLESS STEEL.
2. PLACE AND COMPACT 3 TO 6 INCHES OF SAND OR GRAVEL IN BOTTOM OF EXCAVATION. SETTLE BOX FIRMLY ON TOP OF COMPACTED MATERIAL.
3. USE CONDUIT EXTENSION(S) AND COUPLING(S) TO EXTEND CONDUIT INTO AND MINIMUM OF 6 INCHES ABOVE BOTTOM OF BOX. CAP OPEN END OF CONDUIT WITH APPROPRIATE FITTINGS.
4. AFTER CONDUIT HAS BEEN INSTALLED AND CAPPED, PLACE 6 INCHES OF LOOSE UNCOMPACTED SUBBASE COURSE TYPE 1 MATERIAL IN BOTTOM OF BOX AND ENCOMPASSING CONDUIT.

CITY OF ROCHESTER		
POLYMER CONCRETE HANDHOLE		
ISSUED	12-1-22	NON-STANDARD DWG.NO.S671-19
REVISED		