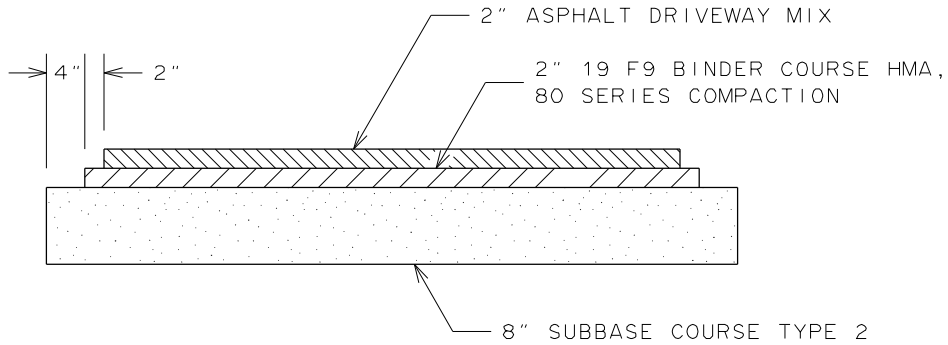
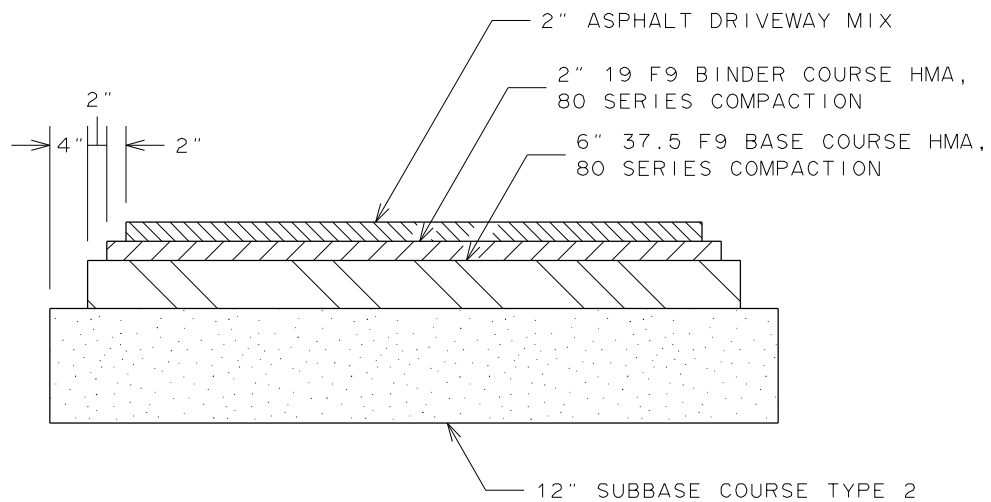


LIGHT DUTY  
(RESIDENTIAL)



MEDIUM DUTY



HEAVY - DUTY

NOTES:

1. ELIMINATE STEPPED EDGE TREATMENT WHEN ADJACENT TO OTHER PAVED SURFACES.
2. SURFACE TO BE FIRM AND STABLE.
3. PROVIDE 1/2 INCH WIDE EXPANSION JOINT BETWEEN NEW ASPHALT CONSTRUCTION AND OTHER PAVED SURFACES, STRUCTURES AND APPURTENANCES.
4. EXPANSION JOINT: 1/2 INCH WIDE PREMOULDED EXPANSION JOINT MATERIAL, SEAL TOP WITH CAULKING SEALANT 1/2 WIDE 5/8 INCH DEEP.

CITY OF ROCHESTER		
<p><b>ASPHALT DRIVEWAY</b></p>		
ISSUED	9-2-91	STANDARD
REVISED	7-1-17	DWG.NO.R608-7