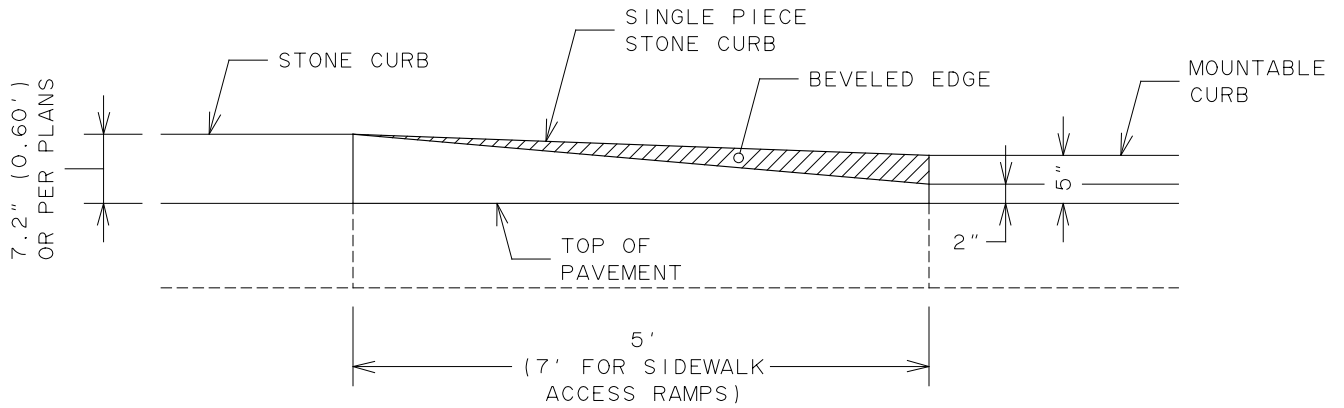
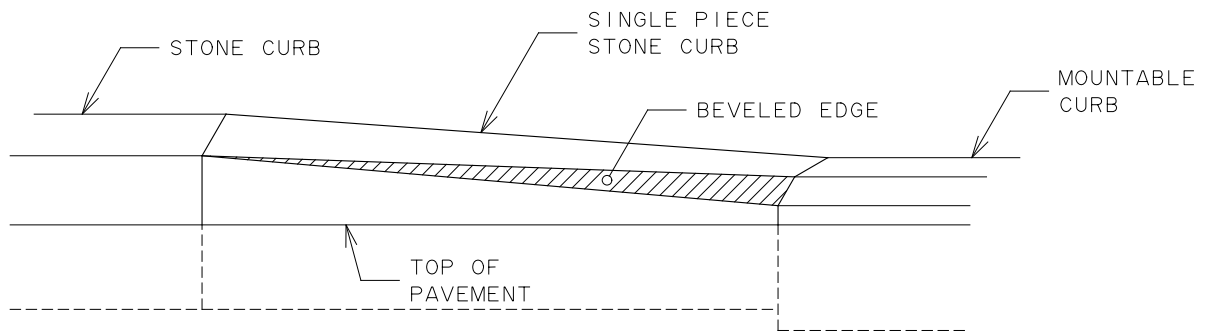


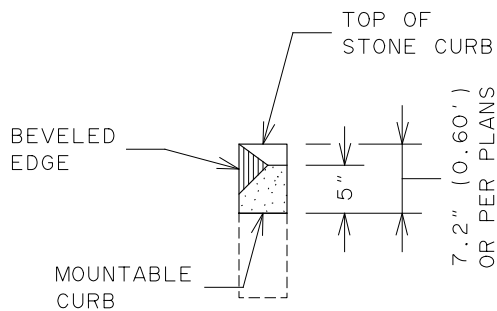
TOP VIEW



PLAN



ISOMETRIC



END VIEW

NOTE :

BEVELED EDGE CAN BE EITHER QUARRY OR FIELD CUT AND IS TO HAVE SMOOTH EVEN FINISH W/O ANY MARKS OR CHIPS

| | | |
|--|---------|--------------------------------|
| CITY OF ROCHESTER | | |
| <p>STONE CURB TRANSITION TO MOUNTABLE CURB</p> | | |
| ISSUED | 10-2-03 | NON-STANDARD DWG.NO.S609-15 |
| REVISED | 6-1-18 | |